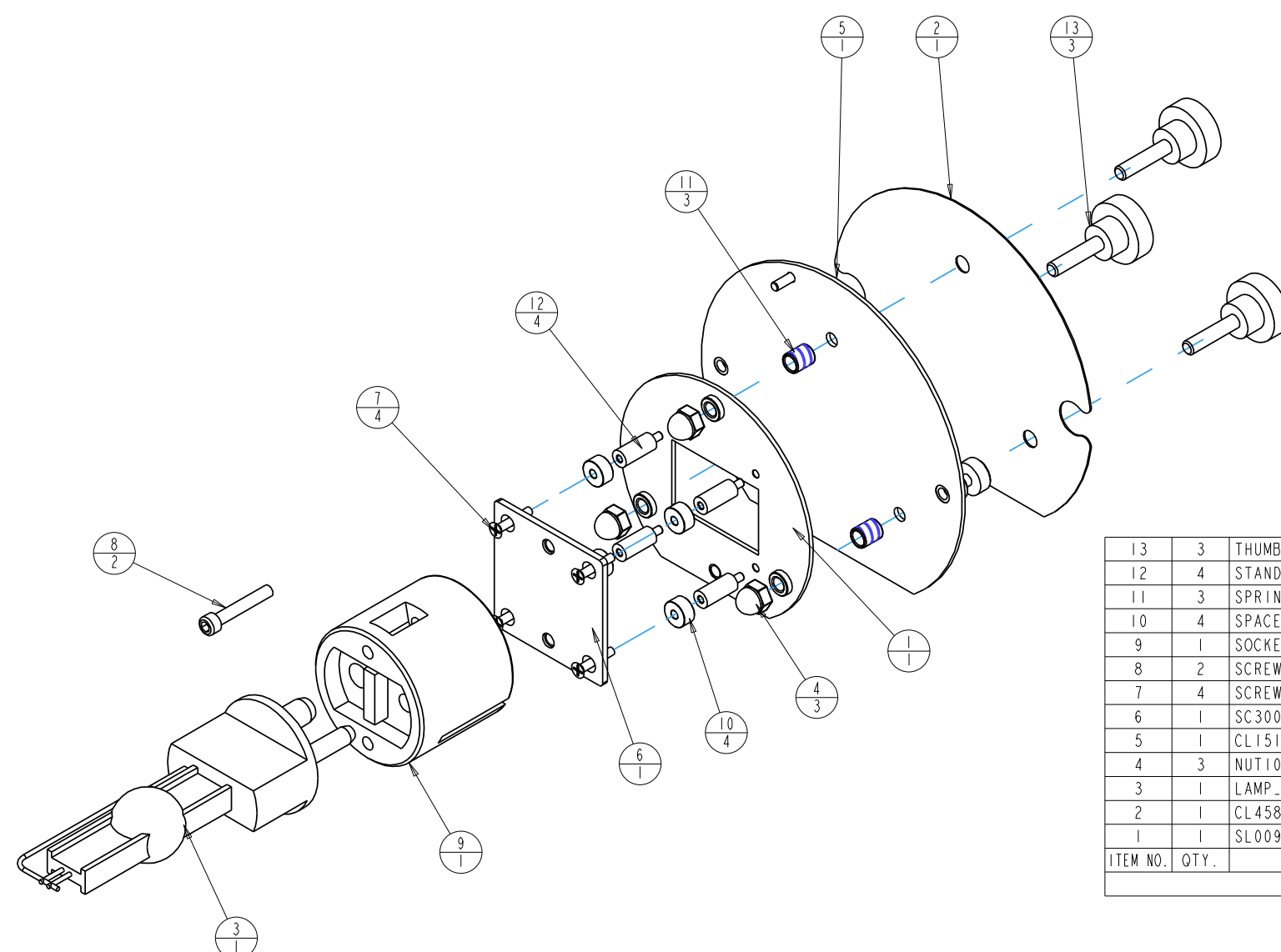


CLA024

REV.	DESCRIPTION	DATE	ENG	ECO #	APPR
1	CREATE DRAWING	18JUN09	PP		
2	CHANGE LAMP SOCKET TO GY22	23JUL09	PP		
3	ADD LAMP PART NUMBER	27JUL09	PP		
4	ADD 4X 90702035, 3X 90701002 REM 4X 90711003, ADD 4X 90709134	06OCT09	PP		



13	3	THUMBSCREW_10_32X875LL	90705012	I	THUMBSCREW, 10-32 X 7/8" CYBERLIGHT
12	4	STANDOFF_25D_5625L_440THD	90702011	I	STANDOFF, 1/4R X 9/16L M/F 4-40THR SS
11	3	SPRING250X330LG	90701002	I	SPRING, #88 (.250 DIA x .33 LG)
10	4	SPACER_375RND_1875LG	90702035	I	SPACER, 3/8RND X 3/16LG #4 THRU AL
9	1	SOCKET_GY22_LAMP	99150021	.	SOCKET, LAMP GY22, 20 AMP 350C
8	2	SCREW8-32AC100P	90707039	.	SCREW, 8-32 SOCKET CAP I ALLOY ZN PATCH
7	4	SCREW4-40PF625SBZ	90709134	.	SCREW, 4-40 PHIL FLAT 5/8
6	1	SC300	99260298	A	PLATE, LAMP MSR, 1200SA
5	1	CL151	80070538	-	PLATE, LAMP ADJUST
4	3	NUT10-32ACORN	90703016	.	NUT, ACORN NUT 10-32 LOW CROWN SZ
3	1	LAMP_MSR2000SA	55030088		LAMP, PHIL MSR20000SA GY22
2	1	CL458	99310529	A	LABEL, LAMP DOOR
1	1	SL009	99080030	I	
ITEM NO.	QTY.	FILENAME	PART NO.	REV	DESCRIPTION

BILL OF MATERIALS

PROPRIETARY NOTICE:
 THIS DOCUMENT CONTAINS CONFIDENTIAL AND PROPRIETARY INFORMATION OF HIGH END SYSTEMS INC., (ALSO DBA LIGHTWAVE RESEARCH) AND IS GIVEN TO THE RECEIVER IN CONFIDENCE. THE RECEIVER ACCEPTS AND AGREES THAT, EXCEPT AS AUTHORIZED BY HIGH END SYSTEMS, THE RECEIVER WILL NOT PERMIT THE USE OF THE DOCUMENT OR ANY COPY THEREOF OR THE INFORMATION THEREIN, WILL NOT COPY OR PERMIT COPYING THE DOCUMENT WILL NOT DISCLOSE TO OTHERS EITHER THE DOCUMENT OR THE INFORMATION THEREIN, AND WILL UPON COMPLETION OF THE NEED TO RETAIN THE DOCUMENT, OR UPON DEMAND, RETURN THE DOCUMENT WITHOUT RETAINING ANY OF THE INFORMATION CONTAINED THEREIN IN ANY FORM WHATSOEVER.

UNLESS OTHERWISE SPECIFIED DIMENSIONAL TOLERANCES: 0 PLACE DECIMAL = ±0.38 1 PLACE DECIMAL = ±0.25 2 PLACE DECIMALS = ±0.13 ANGLES = ±0.5°	RELEASE DATE: ENG: PETE PHILLIPS ME: MFG:	CE: QA: DRW: PETE PHILLIPS	High End 2105 GRACY FARMS LANE AUSTIN, TEXAS 78758 (512) 836-2242 FAX (512) 832-4128 http://www.highend.com	LR LIGHTWAVE RESEARCH
FOR PAINTED PARTS REFER TO ENG. SPEC. MANUAL W1-0592	DESCRIPTION: MOUNT, 2K LAMP, GY22 WITH ADJUST		FINISH: NA	
ALL COMPONENTS, MATERIALS AND FINISHES TO BE RoHS COMPLIANT	MATERIAL: CHARTED		DRAWING NO. CLA024	
MIN. DRAFT	INTERPRET DIMENSIONS PER ASME Y14.5M-1994	SI METRIC A1	PART NO. INTERNAL	REV. 4
MIN. RADI	THIRD ANGLE PROJECTION	DO NOT SCALE	SCALE: 1.000	SHEET: 1 OF 1
FLATNESS	DIMENSIONS ARE IN MILLIMETERS			
THICKNESS				
VOLUME				